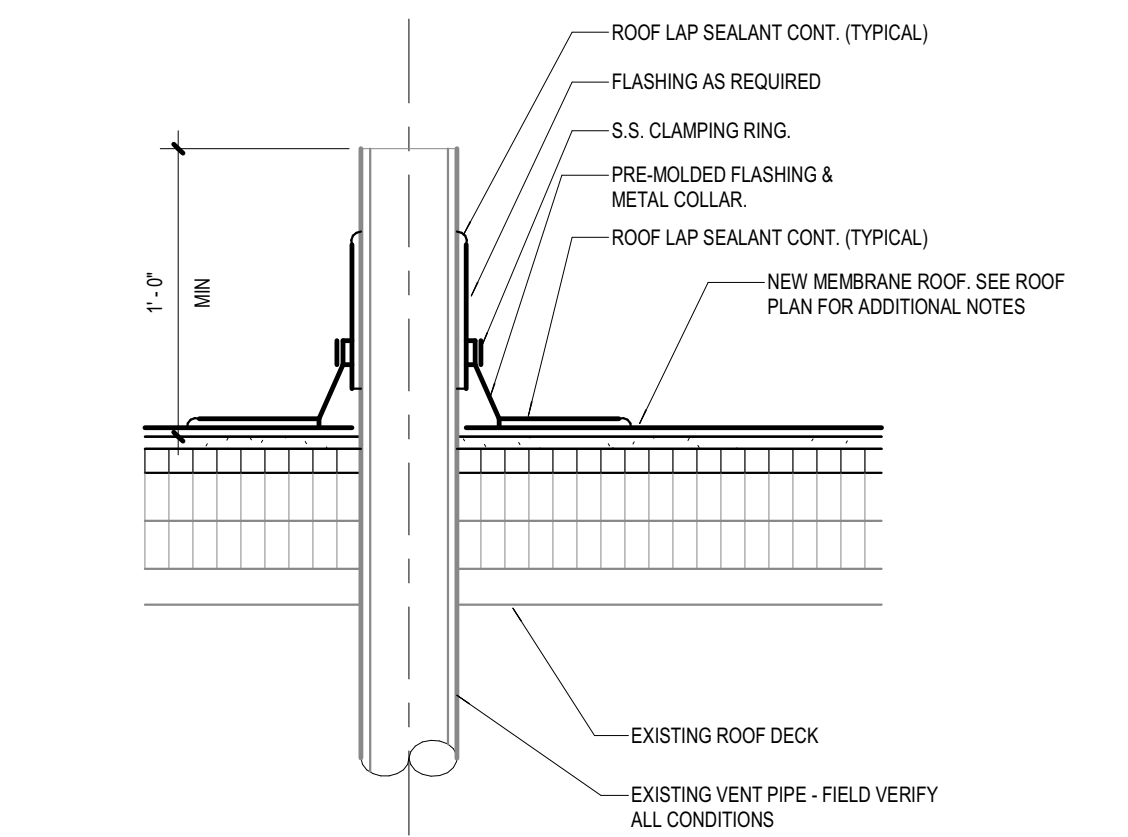
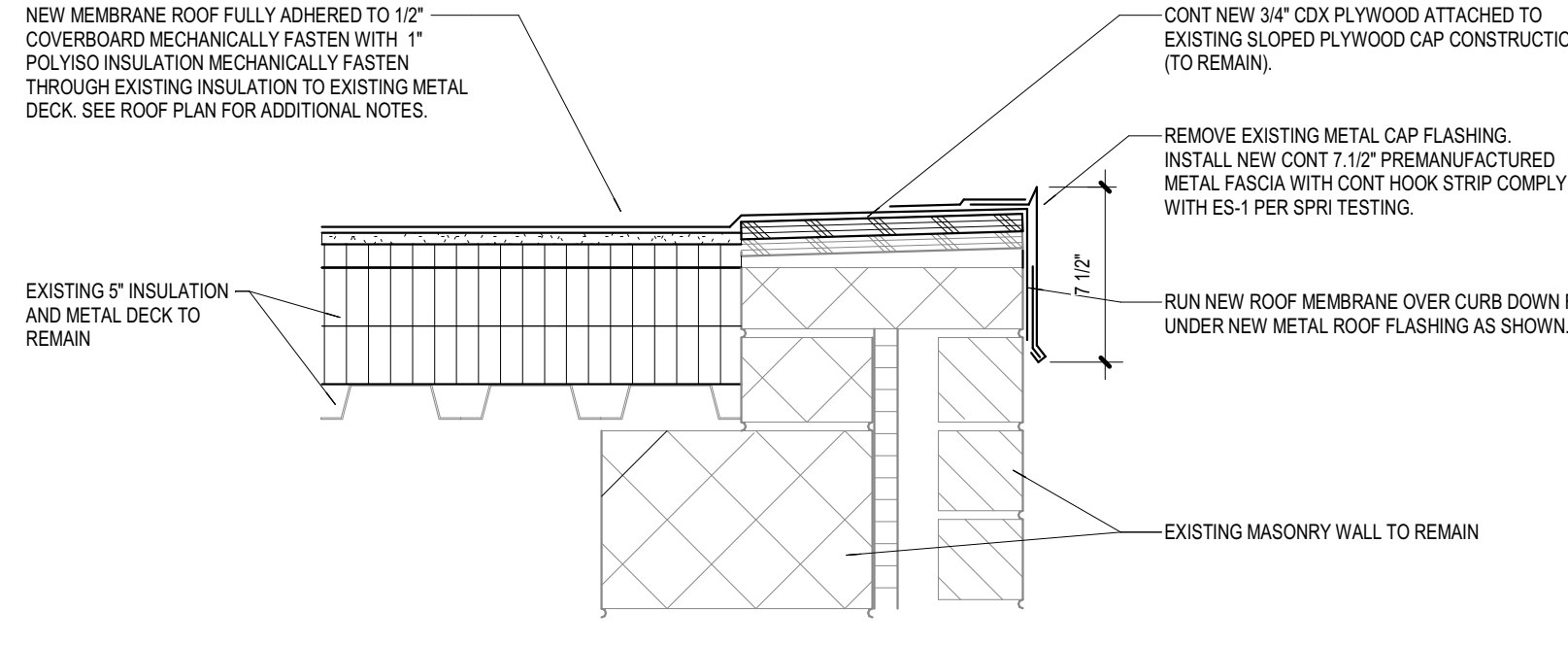


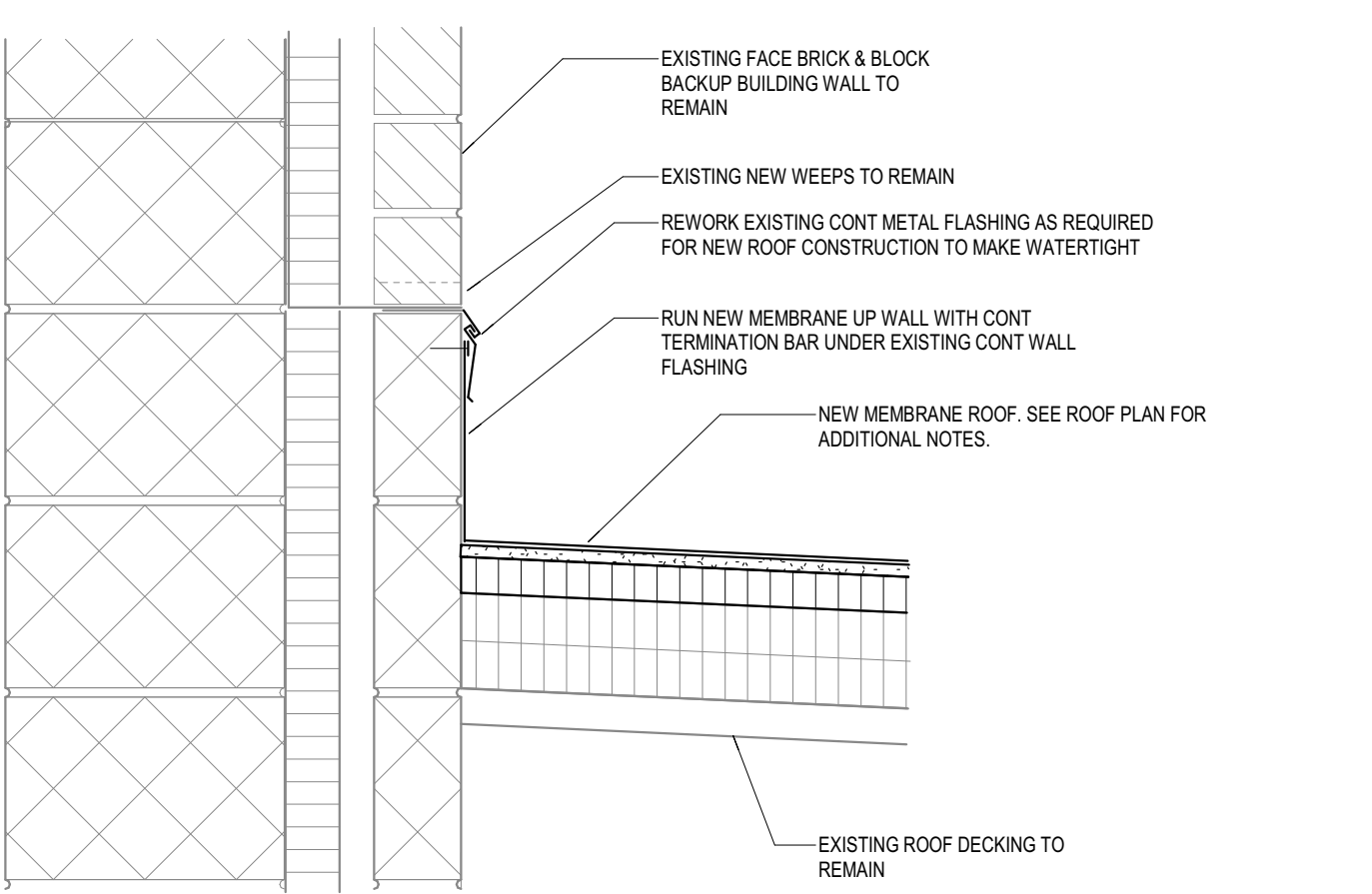
**5** ROOF STACK EXHAUST VENT DETAIL  
A7.01 1" = 1'-0"



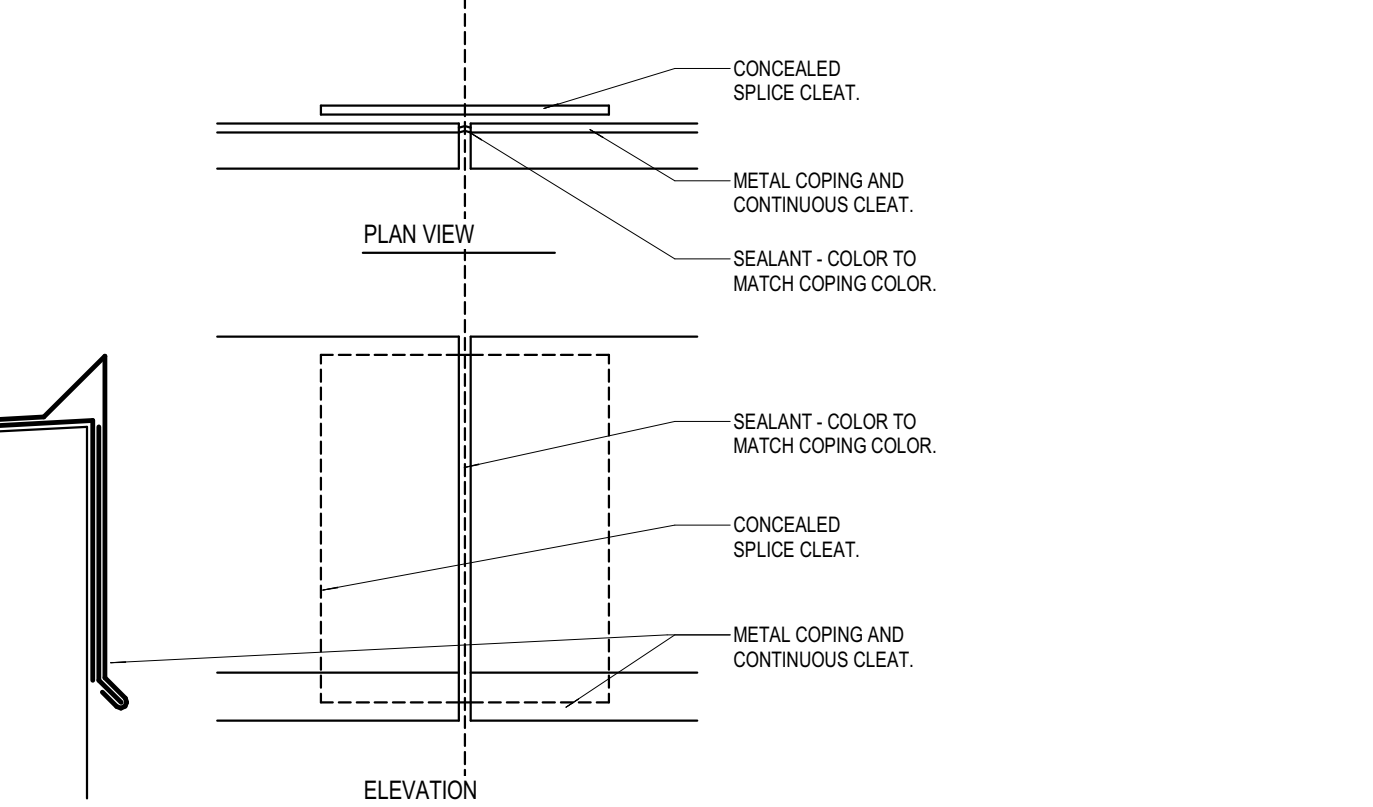
**4** ROOF RELIEF VENT DETAIL  
A7.01 1" = 1'-0"



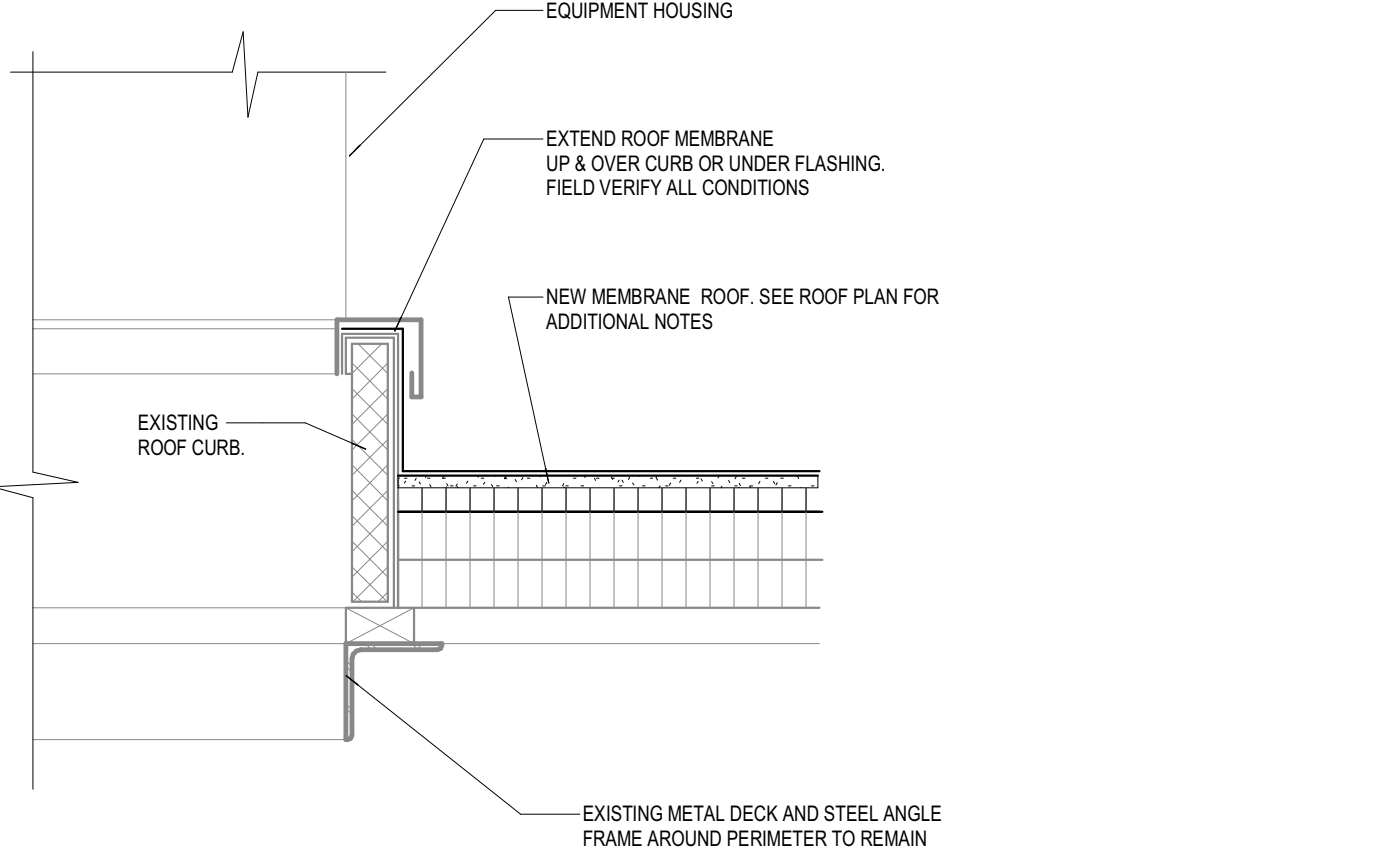
**10** AREA 1 & 7 MEMBRANE ROOF CAP DETAIL  
A7.01 1" = 1'-0"



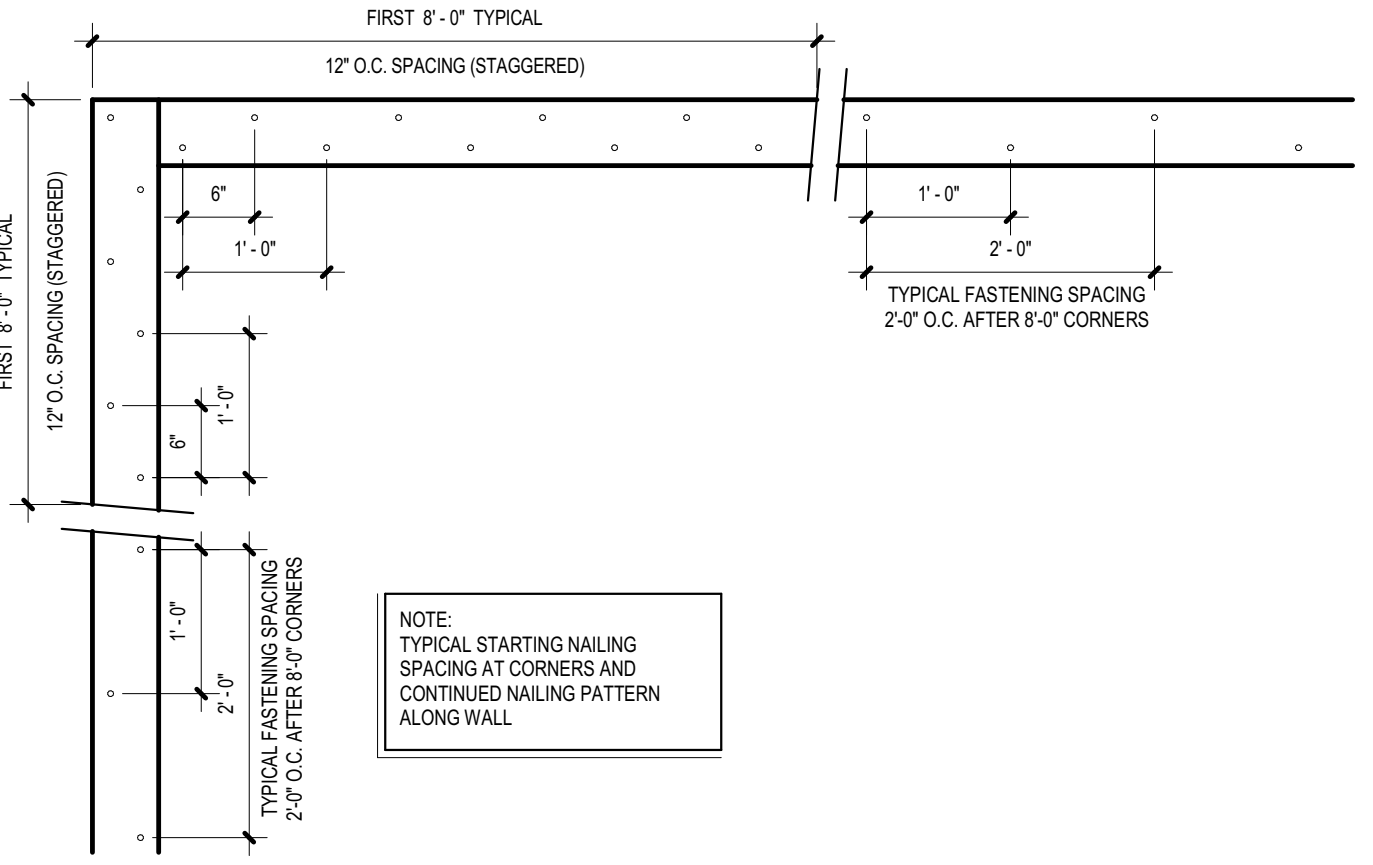
**9** WALL FLASHING DETAIL  
A7.01 1" = 1'-0"



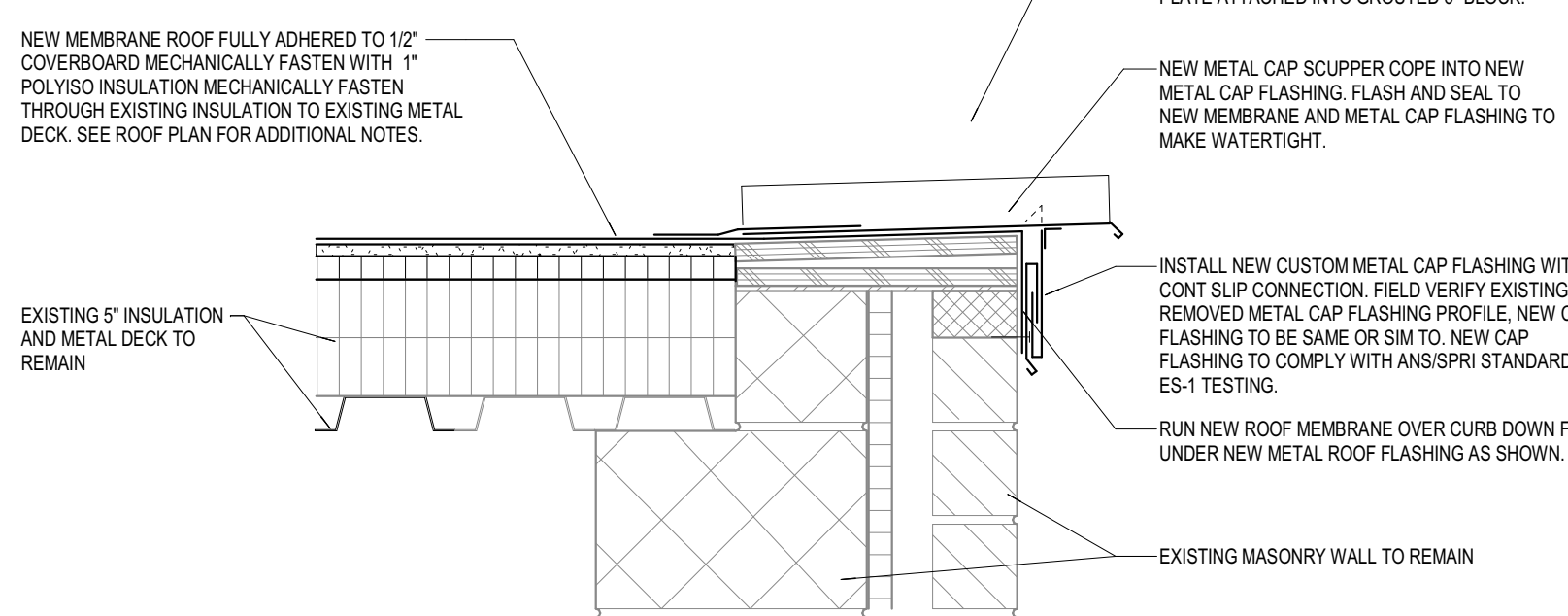
**8** METAL COPING SPLICE DETAIL  
A7.01 3" = 1'-0"



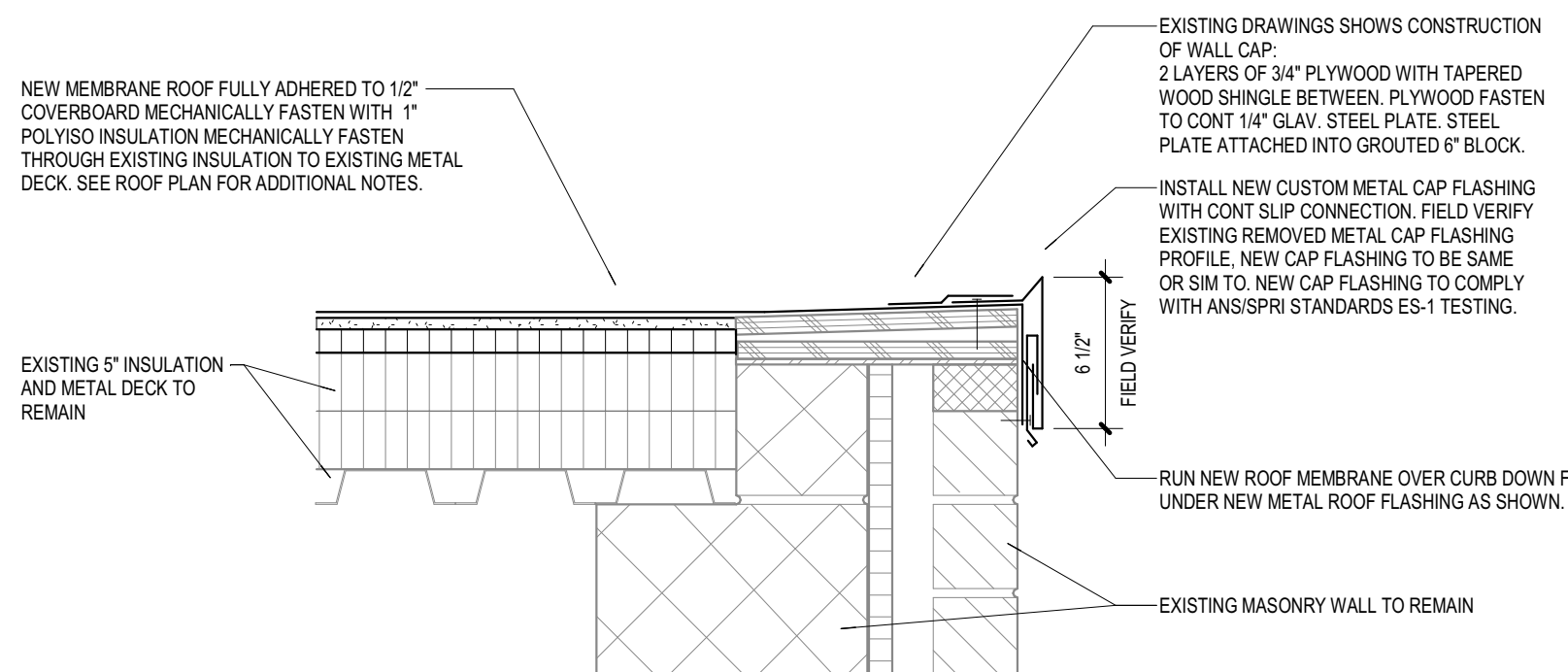
**7** ROOF CURB DETAIL  
A7.01 1" = 1'-0"



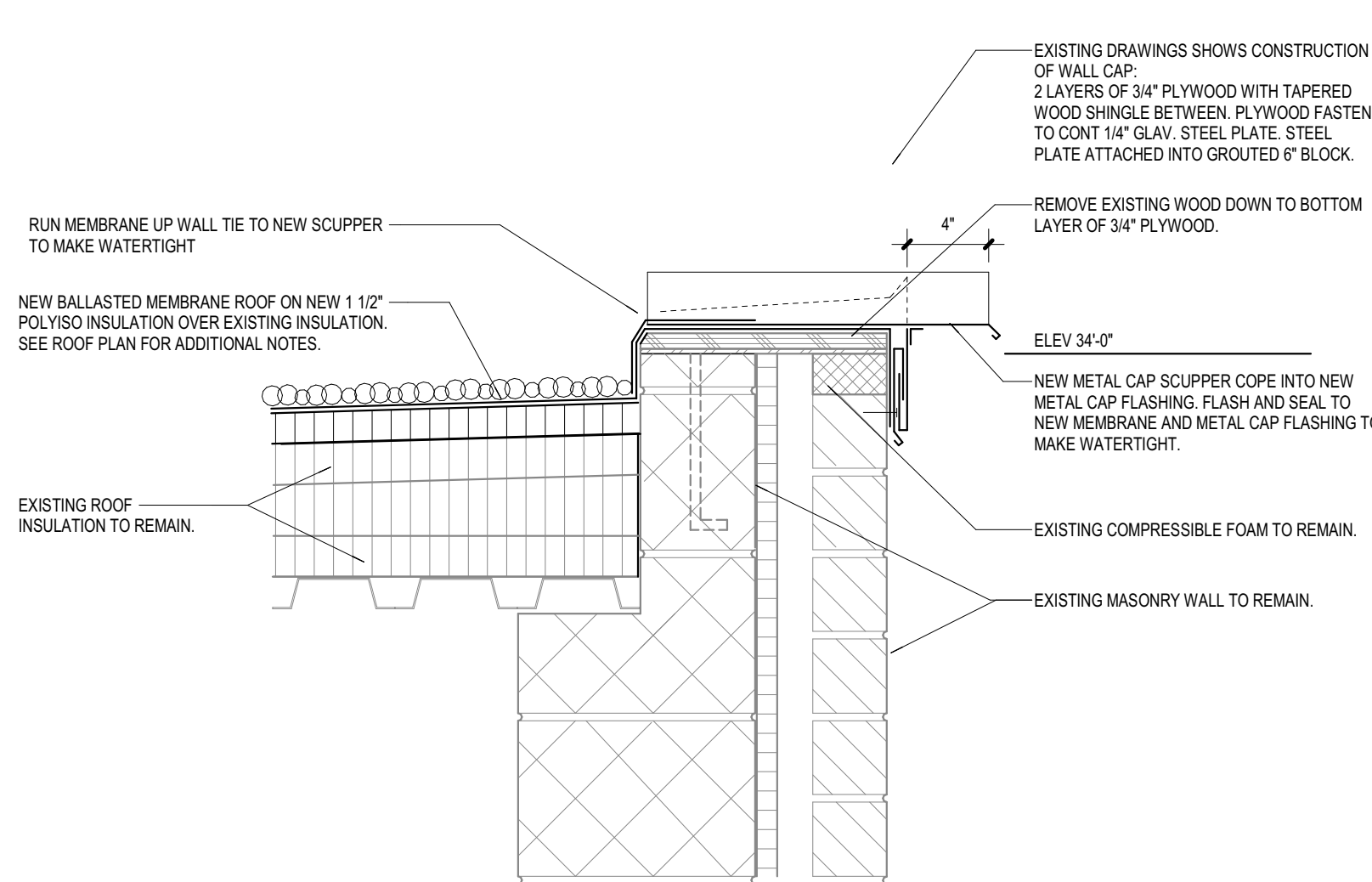
**6** WOOD NAILER SECUREMENT CRITERIA  
A7.01 3/4" = 1'-0"



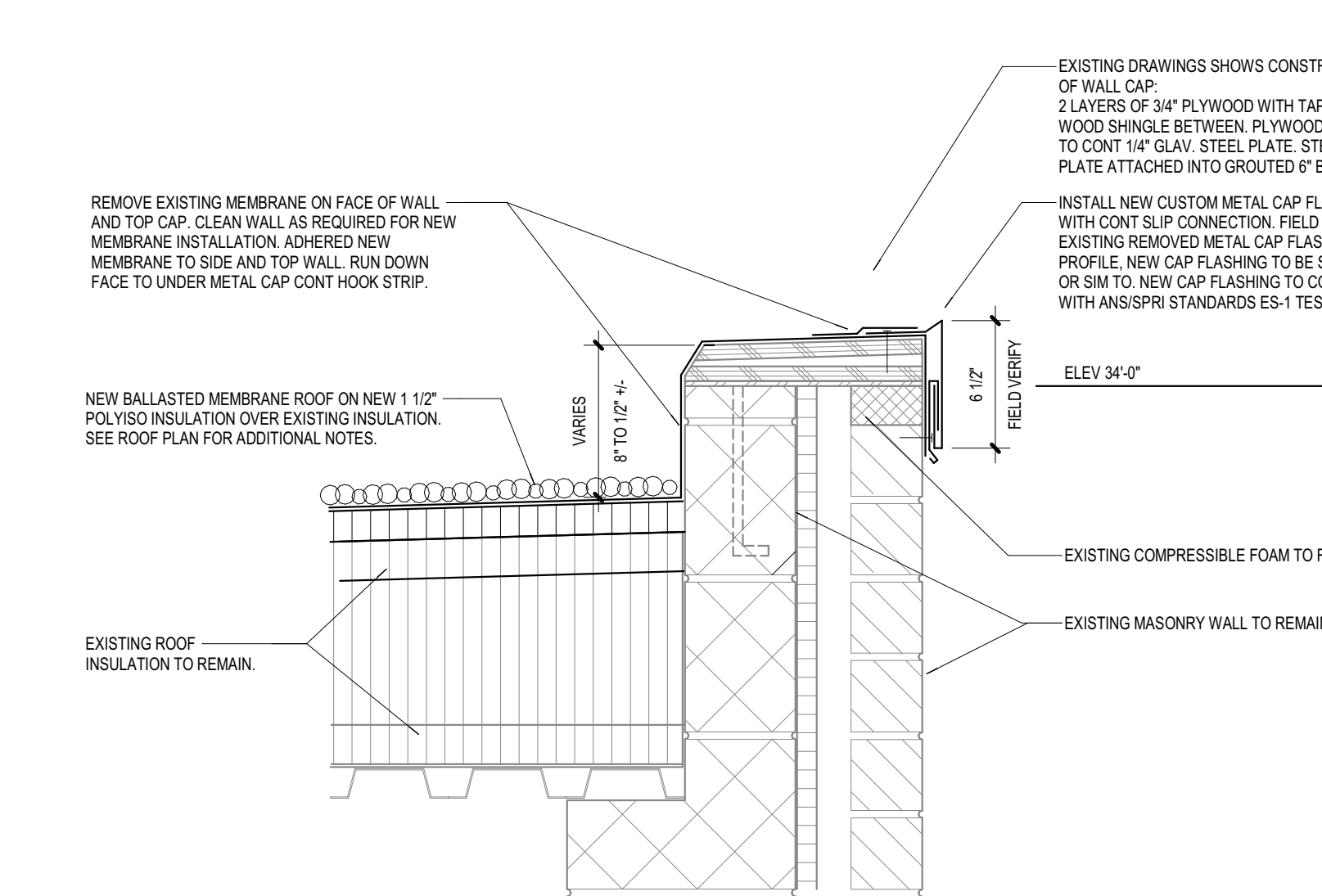
**15** ADHERED MEMBRANE ROOF SCUPPER DETAIL  
A7.01 1" = 1'-0"



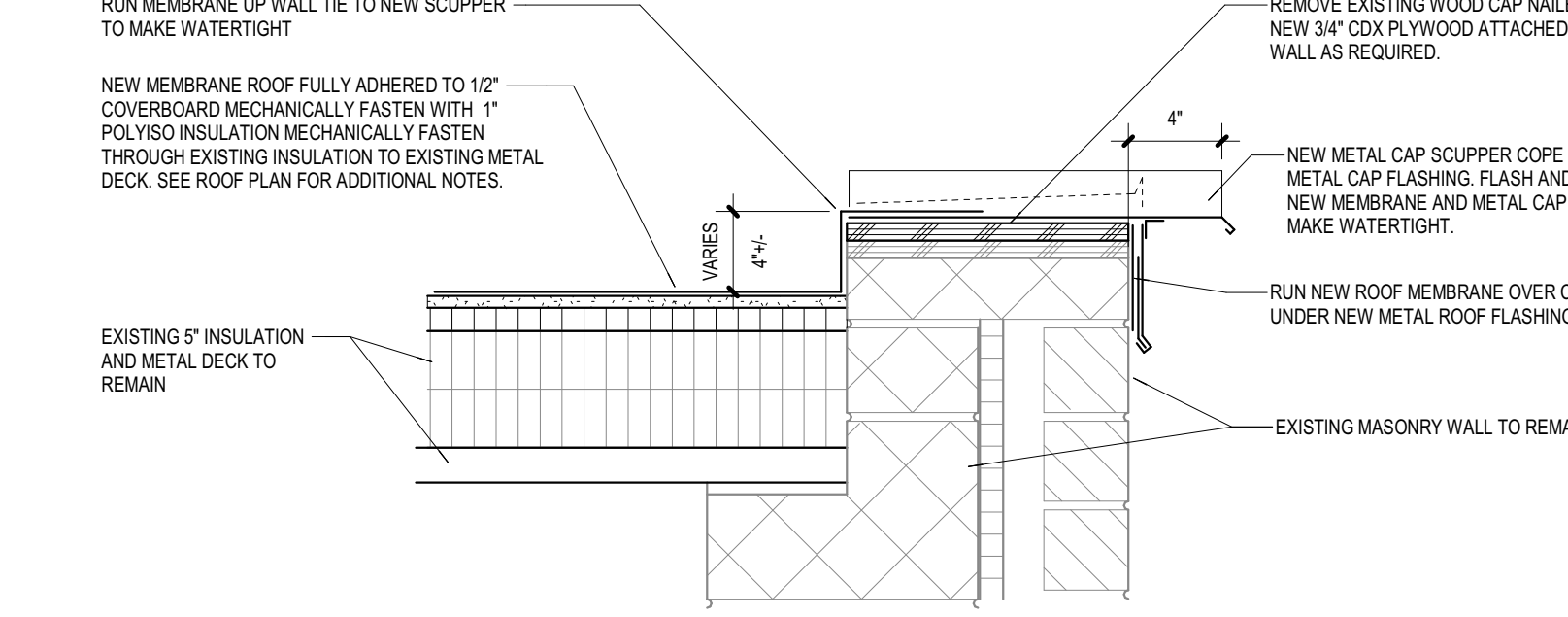
**14** TYPICAL ADHERED MEMBRANE ROOF CAP DETAIL  
A7.01 1" = 1'-0"



**13** AREA 2, 3, 4 MEMBRANE ROOF SCUPPER DETAIL  
A7.01 1" = 1'-0"



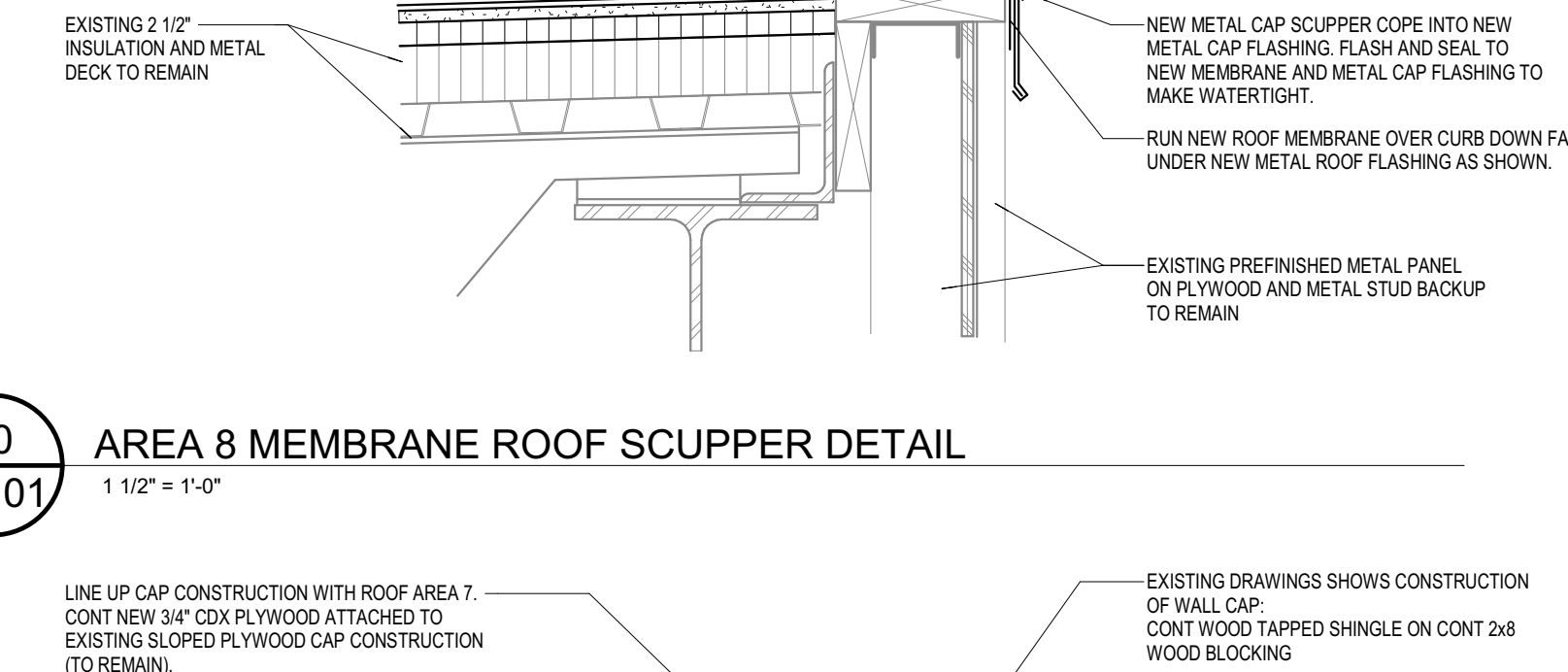
**12** AREA 2, 3, 4 MEMBRANE ROOF CAP DETAIL  
A7.01 1" = 1'-0"



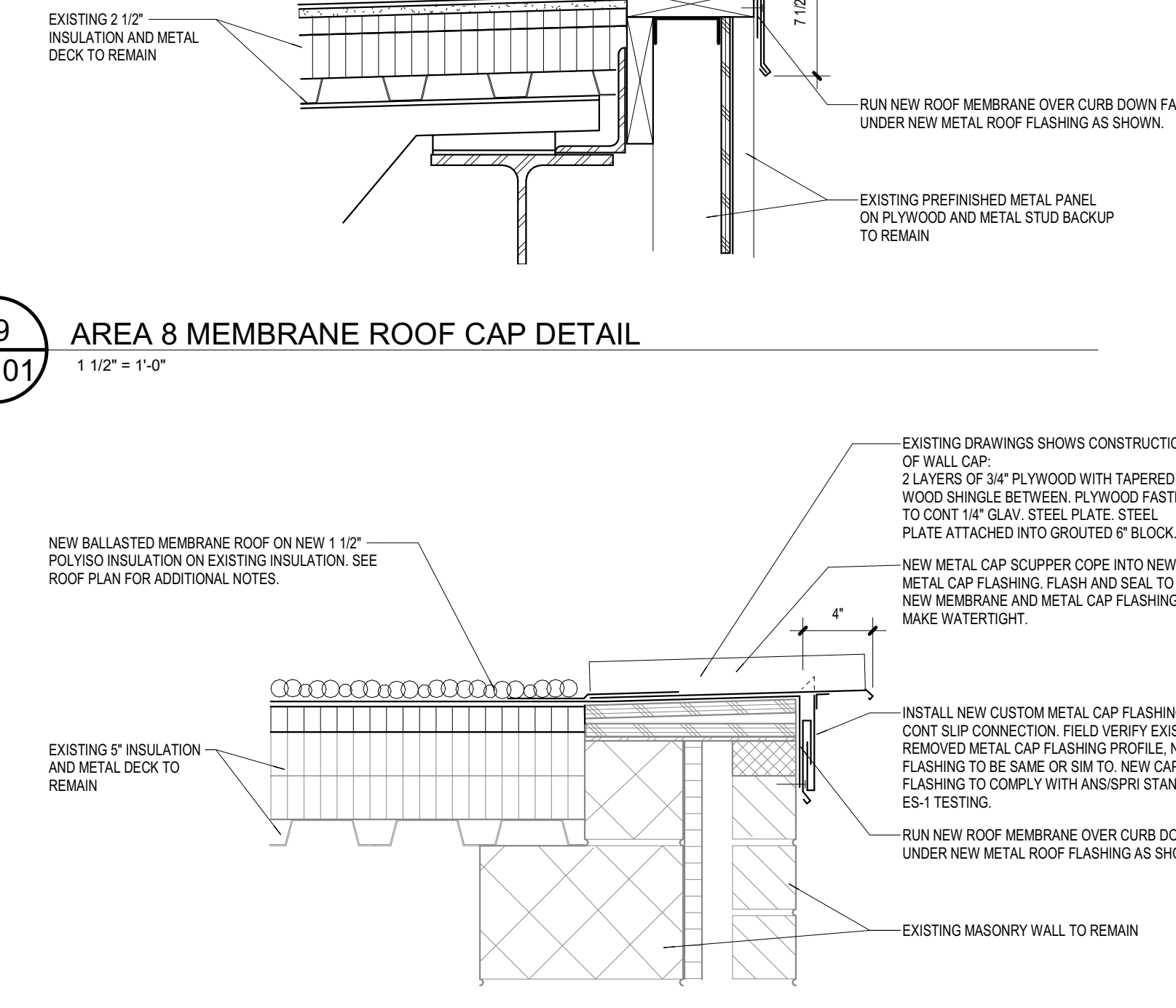
**11** AREA 1 & 7 MEMBRANE ROOF SCUPPER DETAIL  
A7.01 1" = 1'-0"



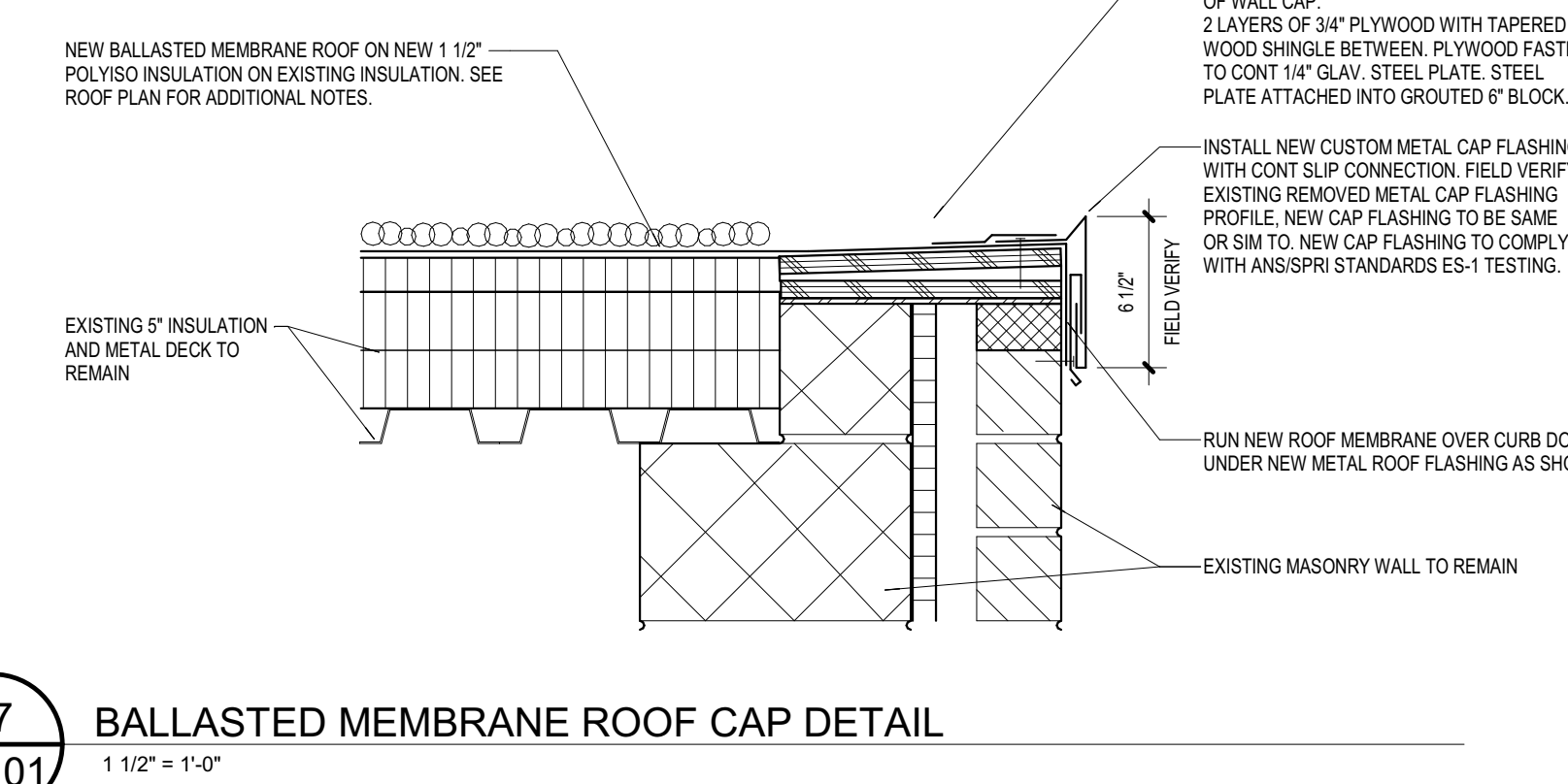
**20** AREA 8 MEMBRANE ROOF SCUPPER DETAIL  
A7.01 1" = 1'-0"



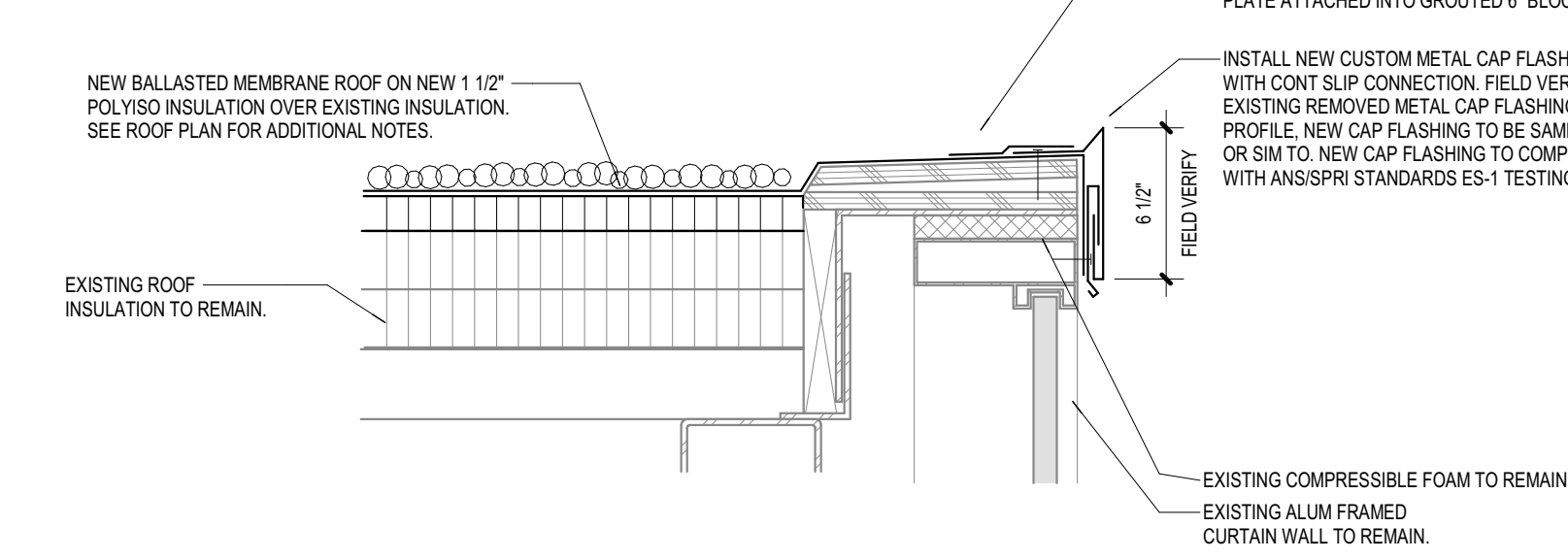
**19** AREA 8 MEMBRANE ROOF CAP DETAIL  
A7.01 1" = 1'-0"



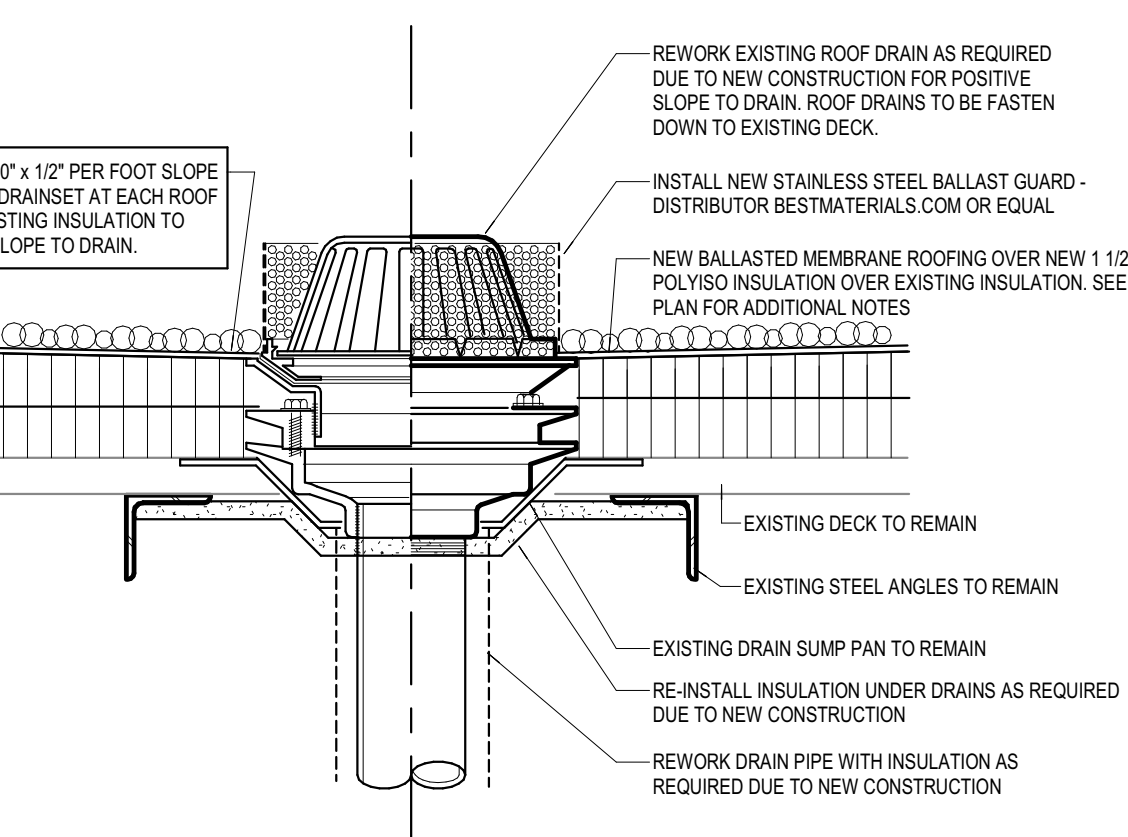
**18** BALLASTED MEMBRANE ROOF SCUPPER DETAIL  
A7.01 1" = 1'-0"



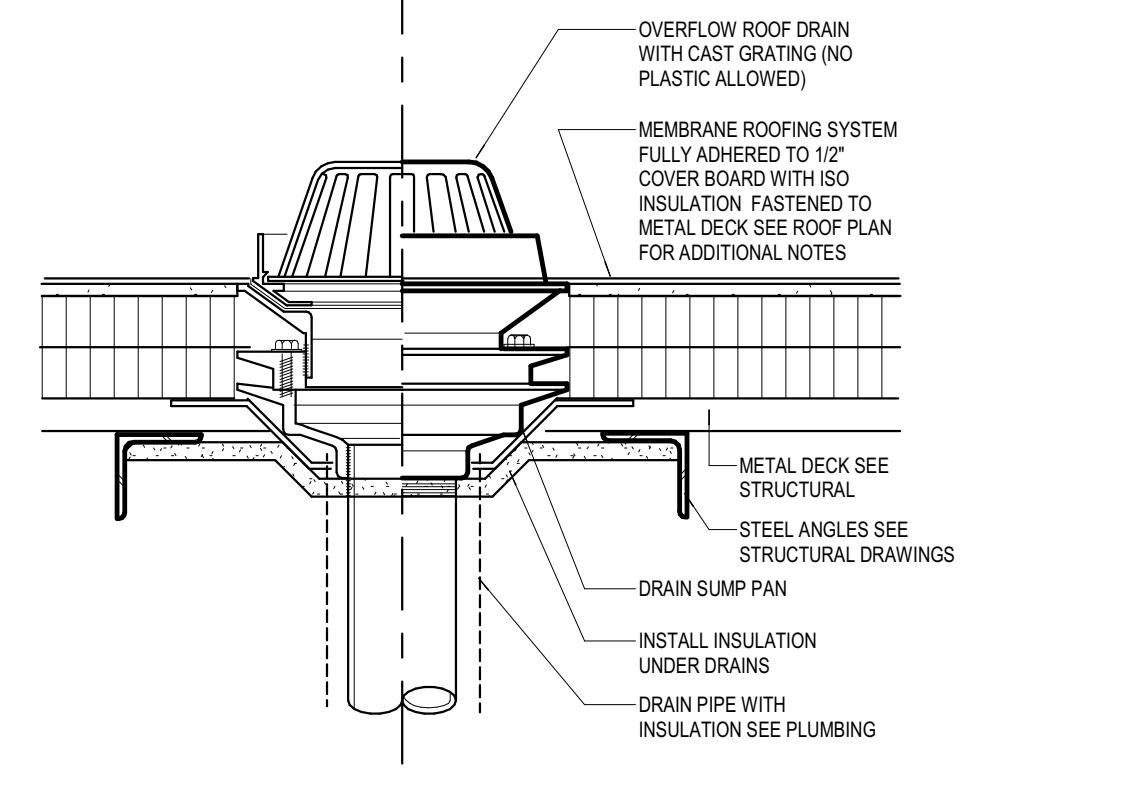
**17** BALLASTED MEMBRANE ROOF CAP DETAIL  
A7.01 1" = 1'-0"



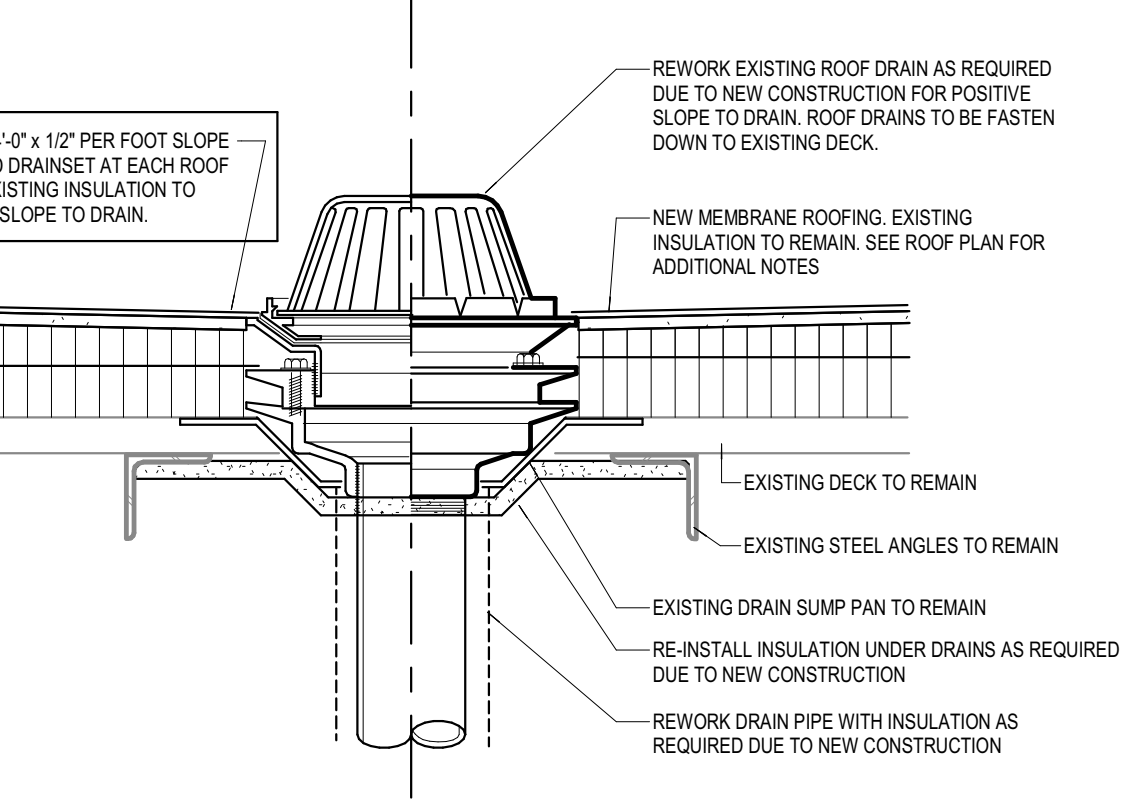
**16** CURTAINWALL BALLASTED ROOF CAP DETAIL  
A7.01 1" = 1'-0"



**3** ROOF DRAIN AT BALLASTED ROOF DETAIL  
A7.01 1" = 1'-0"



**2** ROOF DRAIN OVERFLOW DETAIL  
A7.01 1" = 1'-0"



**1** ROOF DRAIN DETAIL  
A7.01 1" = 1'-0"